

EUROPA
PRICE
LIST
>> | **2025**
SEPTEMBER



TUNA[®]
KAUÇUK PLASTİK A.Ş.



FOR QUALITY *Seekers...*

Our company Tuna Plastik aims to meet customer needs by transforming its experience in the plastic industry since 1985 into a corporate structure. We produce as a company with a quality understanding that increases the product range according to the needs of agricultural, industrial and livestock products.

Our highly qualified engineering and design departments design our injection molds and final products with high precision. We produce as a company with a quality understanding that increases the product range according to the needs of agricultural, industrial and livestock products.

We work with high devotion and precision in art to reach real quality. Our goal is not to be a brand, but to provide endless satisfaction and maintain trust in us.

And we want to say briefly:

We do not consume, we always produce for those who seek quality.





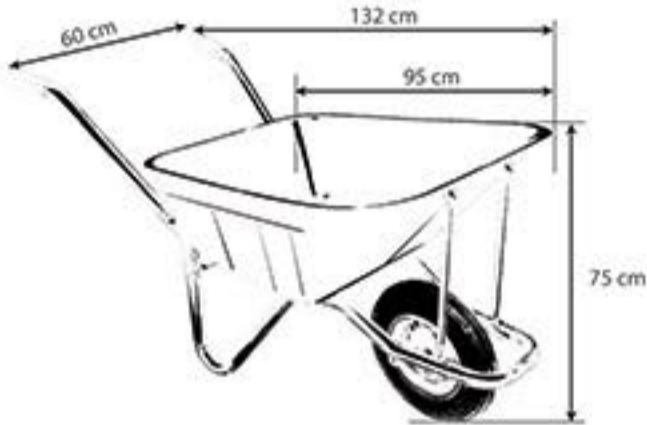
HAN  GAR[®]

“Lightens your load”

Hangar Long Original Plastic Wheelbarrow



NEW
100 Liters



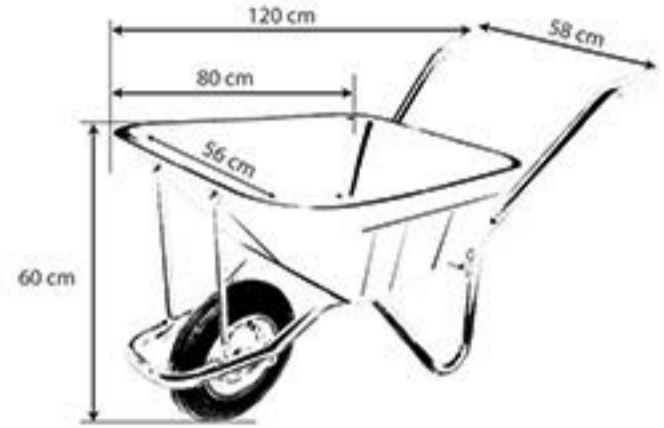
Code	Type	Piece	Weight	Volume	Price (€)
901	Rubber Wheel	1	11.20 kg	100 L	36.50
902	Pneumatic Wheel	1	10.40 kg	100 L	41.50
903	Plastic Rim Pneumatic Wheel	1	10.30 kg	100 L	42.00
904	Midilli Wheel	1	11.30 kg	100 L	41.50
905	Wheelless	1	8.30 kg	100 L	32.50
906	Tray	1	3.35 kg	100 L	16.50





Hangar Midilli Original Plastic Wheelbarrow

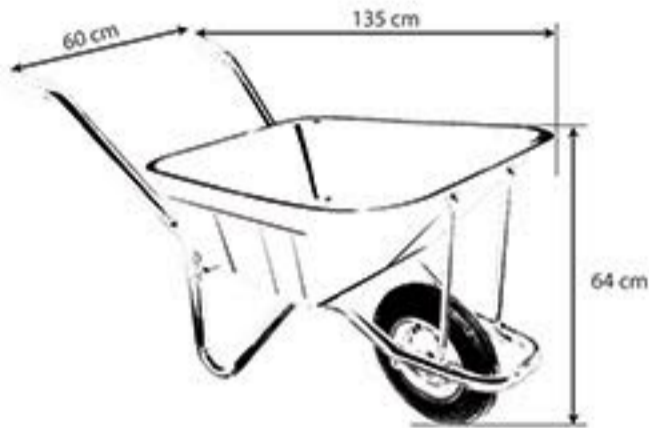
NEW
80 Liters



Code	Type	Piece	Weight	Volume	Price (€)
801	Rubber Wheel	1	11.00 kg	80 L	34.00
802	Pneumatic Wheel	1	10.30 kg	80 L	37.50
803	Plastic Rim Pneumatic Wheel	1	10.00 kg	80 L	39.00
804	Midilli Wheel	1	11.00 kg	80 L	37.50
805	Wheelless	1	8.50 kg	80 L	30.00
806	Tray	1	3.35 kg	80 L	15.00



Hangar Original Plastic Wheelbarrow

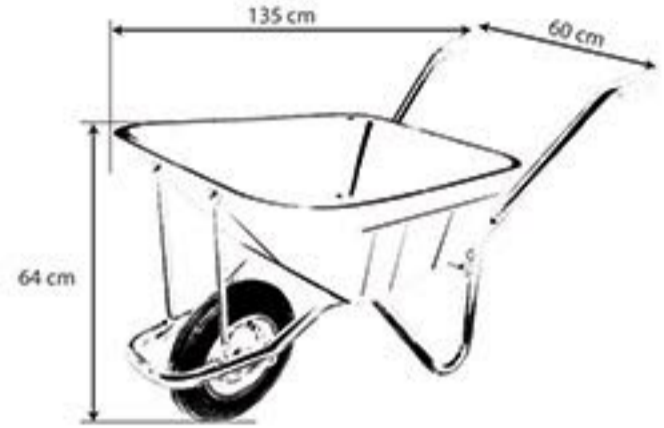


Code	Type	Piece	Weight	Volume	Price (€)
701	Rubber Wheel	1	12,20 kg	75 L	32.50
702	Pneumatic Wheel	1	11,40 kg	75 L	37.50
703	Plastic Rim Pneumatic Wheel	1	11,2 kg	75 L	39.00
704	Midilli Wheel	1	12,3 kg	75 L	37.50
709	Wheelless	1	9,3 kg	75 L	30.00
710	Tray	1	4,40 kg	75 L	15.00





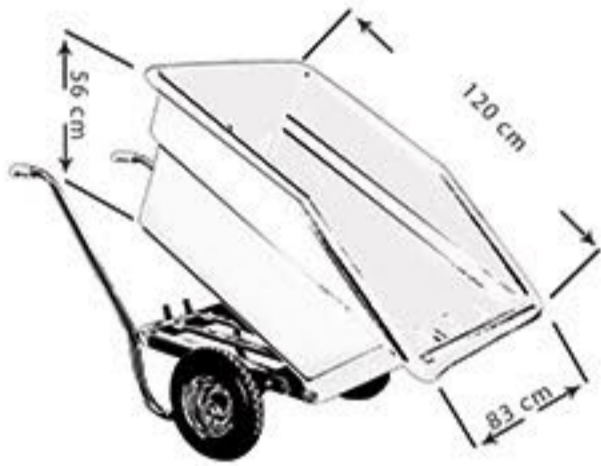
Hangar Plastic Wheelbarrow



Code	Type	Piece	Weight	Volume	Price (€)
601	Rubber Wheel	1	12,40 kg	75 lt	29.00
602	Pneumatic Wheel	1	11,60 kg	75 lt	32.50
603	Plastic Rim Pneumatic Wheel	1	11,3 kg	75 lt	34.00
604	Midilli Wheel	1	12,50 kg	75 lt	32.50
605	Wheelless	1	9,5 kg	75 lt	25.00
606	Tray	1	4,70 kg	75 lt	14.00



Hangar Original Plastic Dumper Wheelbarrow

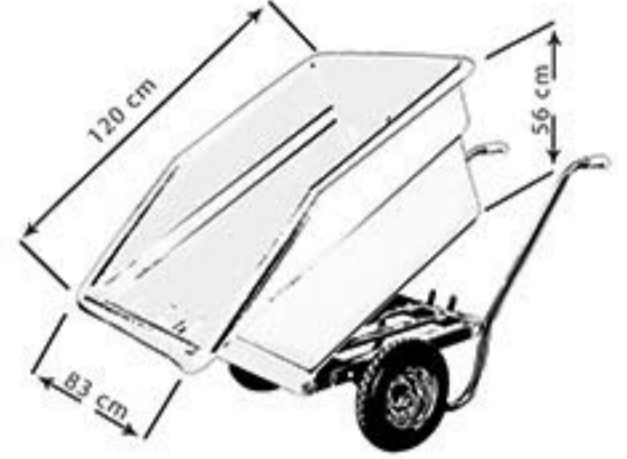


Code	Type	Piece	Weight	Volume	Price (€)
750	Pneumatic Wheel	1	28,00 kg	250 lt	172.50
M 750	Midilli Wheel	1	28,00 kg	250 lt	172.50
751	Wheelless	1	22,80 kg	250 lt	157.00
752	Tray	1	10,80 kg	250 lt	91.50
753	Chassis	1	13,00 kg	-	65.00





Hangar Plastic Dumper Wheelbarrow



Code	Type	Piece	Weight	Volume	Price (€)
650	Pneumatic Wheel	1	28,00 kg	250 lt	147.50
M 650	Midilli Wheel	1	28,00 kg	250 lt	147.50
651	Wheelless	1	22,80 kg	250 lt	131.50
652	Tray	1	10,80 kg	250 lt	72.50
653	Chassis	1	13,00 kg	-	60.00



- 250 kg. Weight and 100 lt. Water Carrying Capacity
- Tray Resistant to Oxides, Chemicals, and Impacts
- One-Piece Chassis made of 1.50 mm. Thickness Galvanized Sheet Metal
- Bottom Support and Balance Plate
- Front Support Poles
- Rubber Filled Wheel (No Blowout)
- Rubber Handle
- Easy to Carry Thanks to the Ergonomic Design
- Only Wheelbarrow in Turkey which is Under Warranty





"LIGHTENS YOUR LOAD"

Midilli Wheelbarrow



Code	Piece	Weight	Volume	Price (€)
801	1	12.50 kg	80 L	41.50





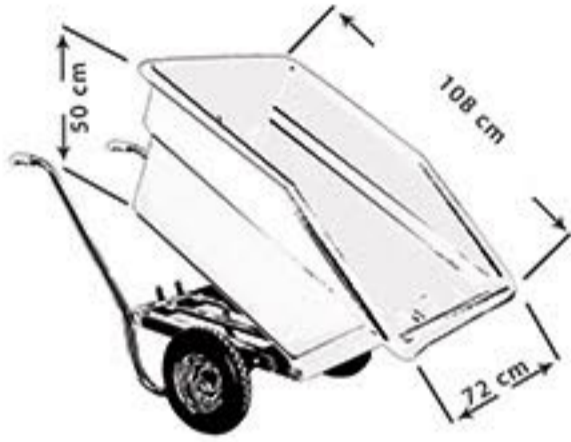
Midilli Rubber Wheel



Code	Type	Piece	Weight	Price (€)
691	Plastic Rim Rubber Wheel	5	13.50 kg	5.00
770	Midilli Original Plastik Rubber Filling Wheel	5	15.40 kg	12.00
670	Midilli Rubber Filling Wheel	5	16.40 kg	10.00
780	Plastic Rim Pneumatic Wheel	5	9.00 kg	10.00
790	Mini Plastic Rim Pneumatic Wheel	5	5.25 kg	10.00
680	4 PR Pneumatic Wheel (Sheet Metal Rim)	5	10.50 kg	10.00
690	Hangar Rubber Wheel (Sheet Metal Rim)	5	14.50 kg	5.00



Midilli Original Plastic Dumper Wheelbarrow

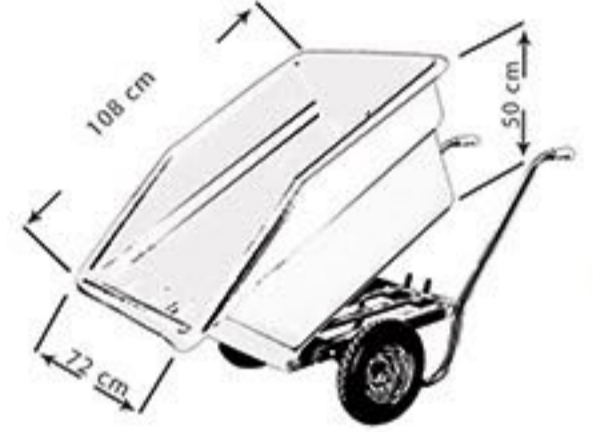


Code	Type	Piece	Weight	Volume	Price (€)
760	Pneumatic Wheel	1	24.20 kg	175 L	144.00
M 760	Midilli Wheel	1	24.20 kg	175 L	144.00
761	Wheelless	1	20.00 kg	175 L	127.50
762	Tray	1	8.30 kg	175 L	74.00
763	Chassis	1	12.50 kg	-	54.00





Midilli Plastic Dumper Wheelbarrow



Code	Type	Piece	Weight	Volume	Price (€)
660	Pneumatic Wheel	1	24.20 kg	175 L	116.50
M 660	Midilli Wheel	1	24.20 kg	175 L	116.50
661	Wheelless	1	20.00 kg	175 L	100.00
662	Tray	1	8.,30 kg	175 L	52.50
663	Chassis	1	12.50 kg	-	47.50



- The metal structure was made of 1.5 mm thick special pipe.
- Reinforced with 2 front brackets
- One 2 mm thick holderplate
- Its design is registered by Tuna Plastik
- It is resistant to oxidation and impacts with its flexible and robust structure.
- It provides convenience to you and your business for years of use.



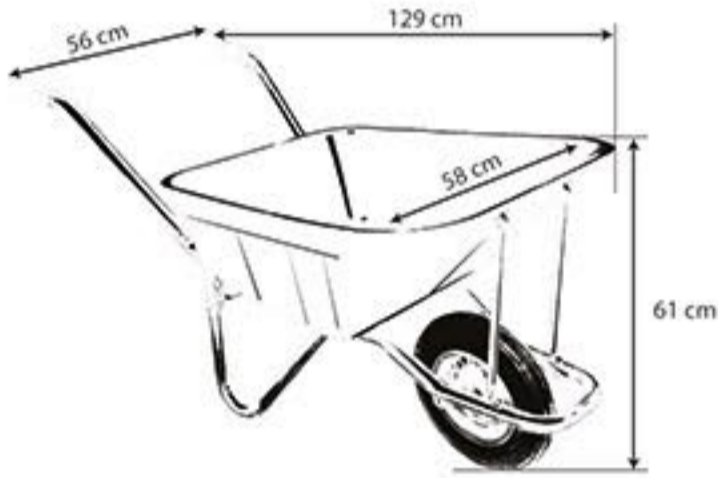


HANGAR[®]

M E T A L

"Lightens your load"

Hangar Mini Sheet Metal Wheelbarrow

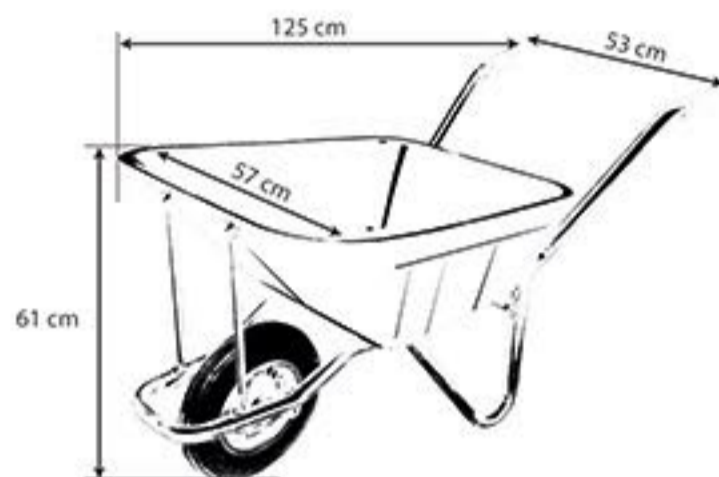


Code	Type	Piece	Weight	Volume	Price (€)
1601	Rubber Filling Wheel	1	10.50 kg	65 L	29.00
1602	Pneumatic Wheel	1	9.7 kg	65 L	29.00
1603	Plastic Rim Pneumatic Wheel	1	9.4 kg	65 L	31.50
1604	Midilli Wheel	1	10.6 kg	65 L	32.50
1605	Wheelless	1	7.6 kg	65 L	22.00
1606	Tray	1	3.65 kg	65 L	12.00





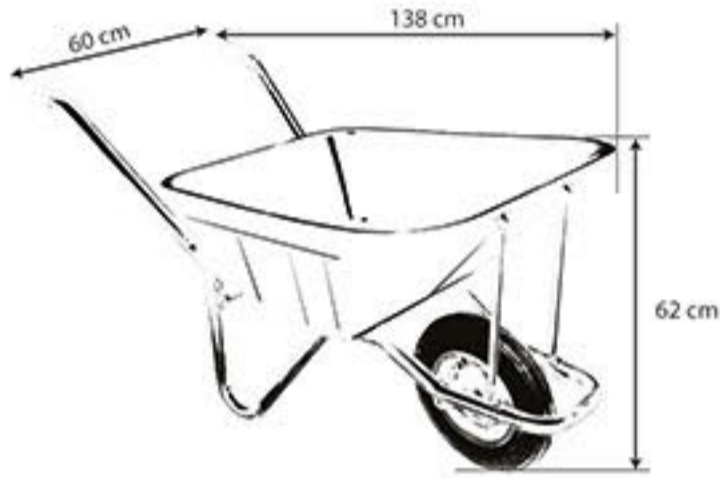
Hangar Sheet Metal Wheelbarrow



Code	Type	Piece	Weight	Volume	Price (€)
1701	Rubber Filling Wheel	1	12.00 kg	75 L	30.00
1702	Pneumatic Wheel	1	11.2 kg	75 L	30.00
1703	Plastic Rim Pneumatic Wheel	1	11.00 kg	75 L	35.00
1704	Midilli Wheel	1	12.10 kg	75 L	35.00
1705	Wheelless	1	9.1 kg	75 L	22.50
1706	Tray	1	4 kg	75 L	15.00



Hangar Long Sheet Metal Wheelbarrow



Code	Type	Piece	Weight	Volume	Price (€)
1801	Rubber Filling Wheel	1	12.90 kg	90 L	35.00
1802	Pneumatic Wheel	1	12.1 kg	90 L	35.00
1803	Plastic Rim Pneumatic Wheel	1	11.8 kg	90 L	39.00
1804	Midilli Wheel	1	13 kg	90 L	39.00
1805	Wheelless	1	10 kg	90 L	35.00
1806	Tray	1	5 kg	90 L	16.50





Hangar Box Carry Trolley



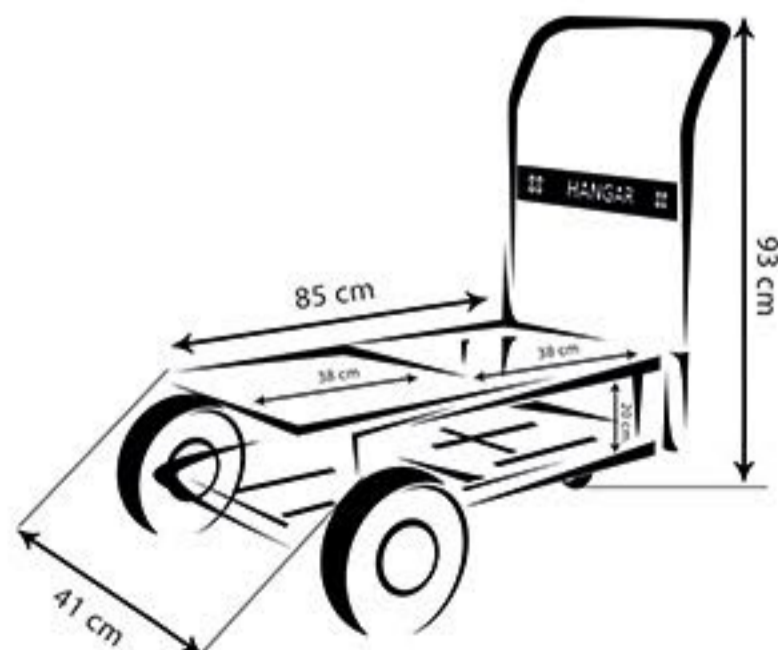
Code	Piece	Weight	Max Capacity	Price (€)
1301	1	16.50 kg	300 kg	69.00



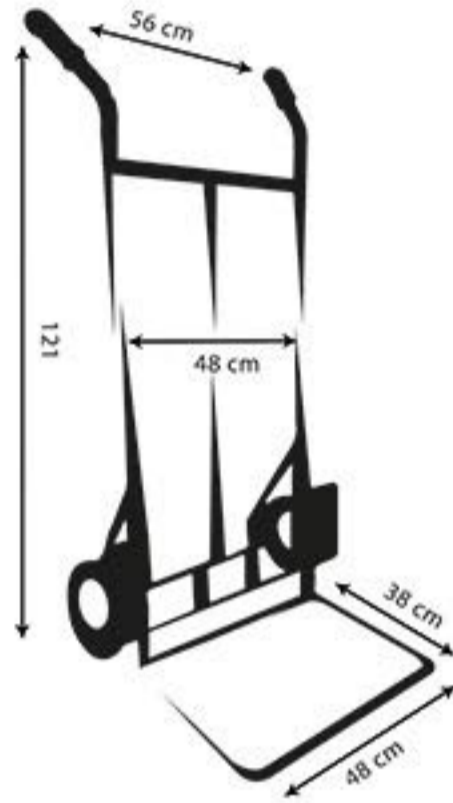
Hangar Milk Barrel Transport Trolley



Code	Piece	Weight	Max Capacity	Price (€)
1302	1	16.10 kg	200 kg	70.00



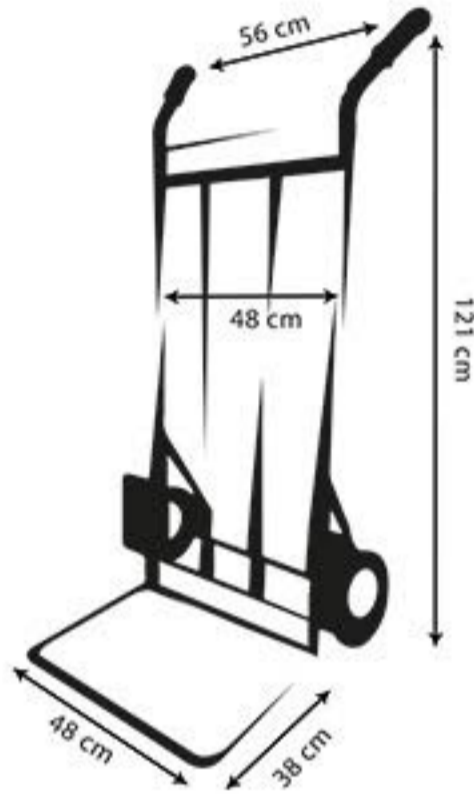
Hangar Box Carry Trolley



Code	Type	Adet	Weight	Max Capacity	Price (€)
1151	Box Carry Trolley	1	11.70 kg	250 kg	30.00
1152	Wheelless	1	9.50 kg	250 kg	26.50
1153	Stair Climber	1	14.00 kg	250 kg	59.00



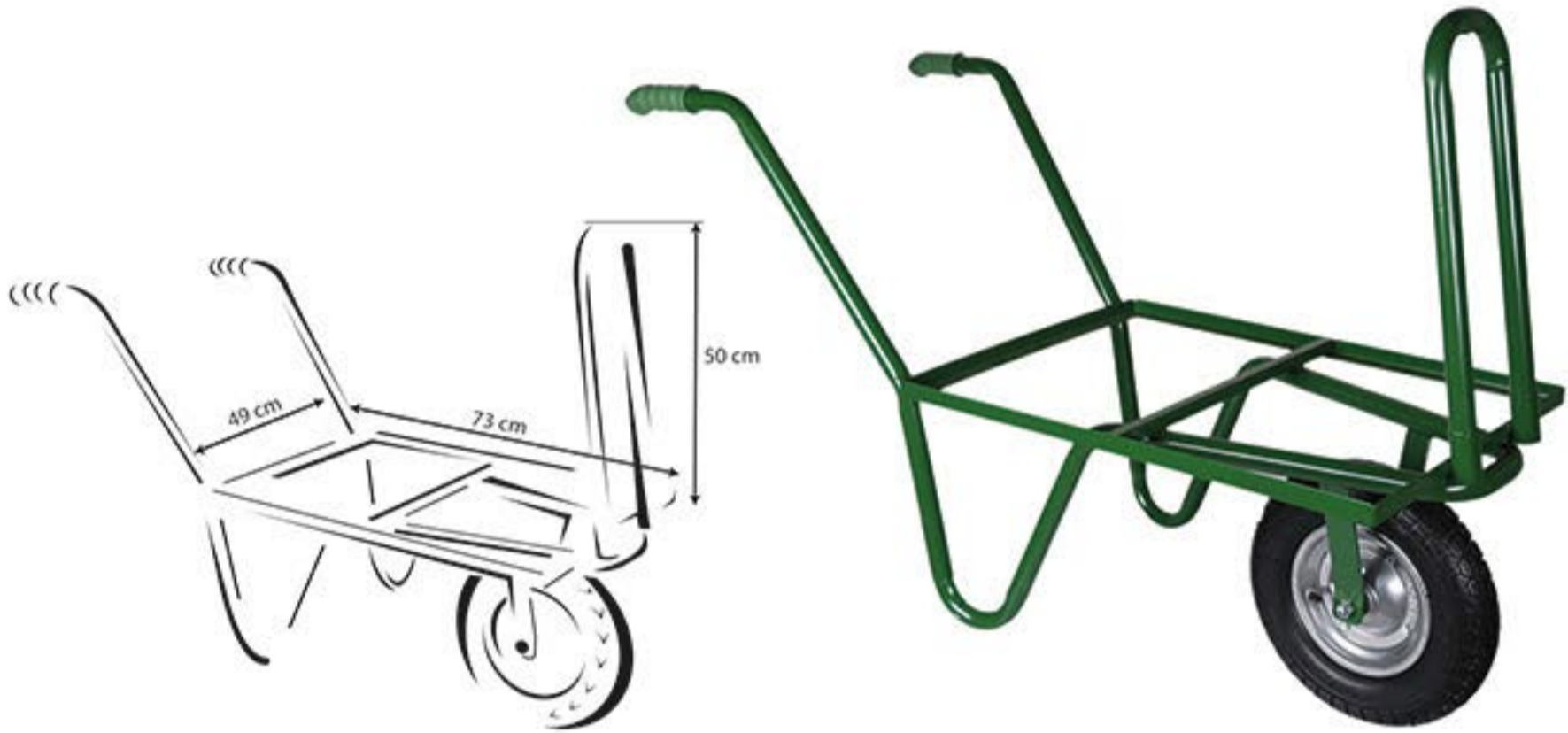
Hangar Box Carry Trolley



Code	Type	Type	Weight	Max Capacity	Price (€)
2151	Box Carry Trolley	1	13.40 kg	300 kg	41.50
2152	Wheelless	1	11.00 kg	300 kg	37.50
2153	Stair Climber	1	18.50 kg	350 kg	60.00



Hangar Greenhouse Carry Trolley

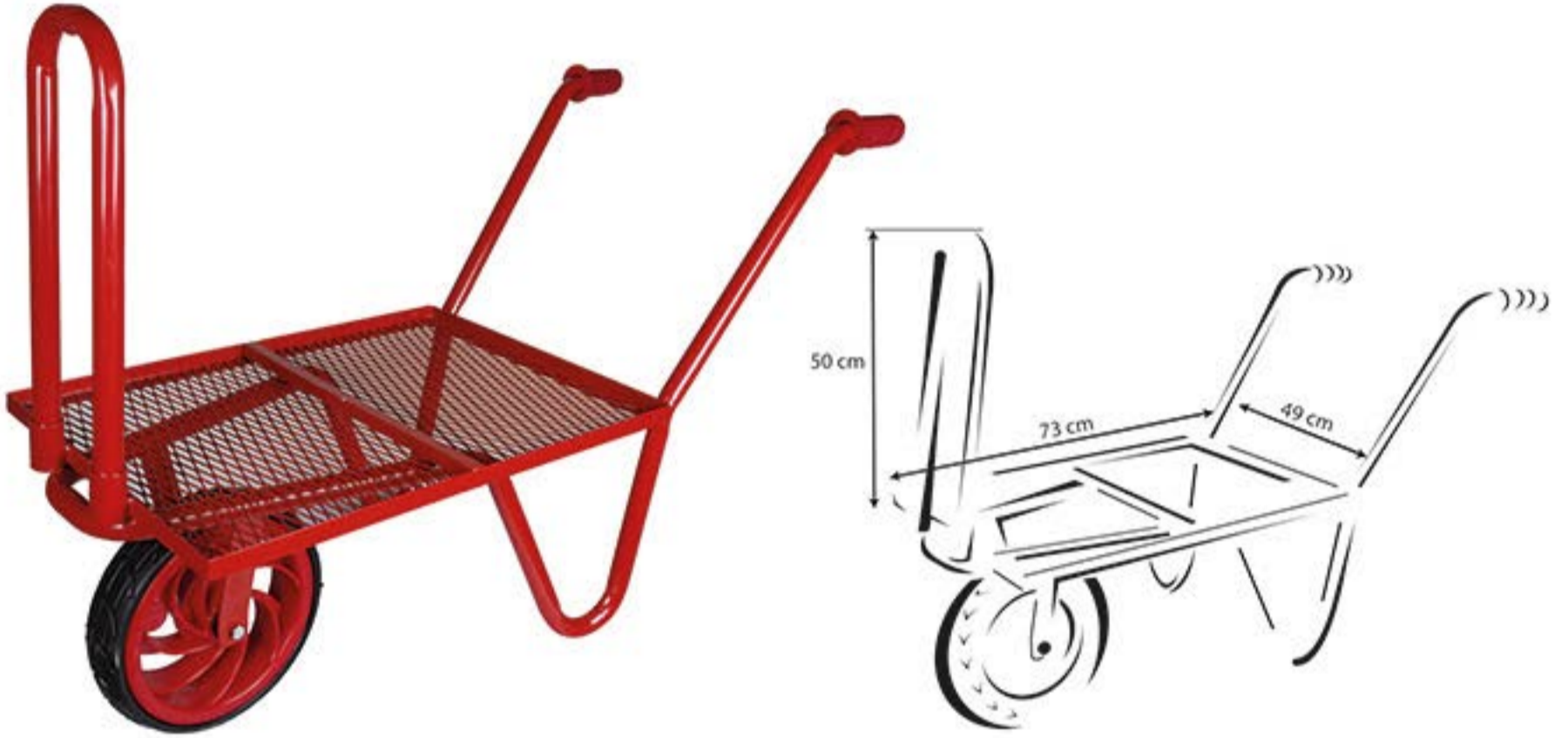


Code	Type	Piece	Weight	Max Capacity	Price (€)
1161	Rubber Wheel	1	11.20 kg	200 kg	36.50
1162	Midilli Wheel	1	11.20 kg	200 kg	41.50
1163	Pneumatic Wheel	1	11.20 kg	200 kg	41.50
1164	Wheelless	1	8 kg	200 kg	39.00





Hangar Greenhouse Carry Trolley



Code	Type	Piece	Weight	Max Capacity	Price (€)
2161	Rubber Wheel	1	12.20 kg	300 kg	41.50
2162	Midilli Wheel	1	12.20 kg	300 kg	45.00
2163	Pneumatic Wheel	1	12.20 kg	300 kg	45.00
2164	Wheelless	1	9 kg	300 kg	37.50



Hangar Plow Wheelbarrow (Moveable)



Code	Piece	Weight	Type	Price (€)
3151	1	11.80 kg	PNEU Wheel	60.00
3152	1	12.70 kg	Rubber Wheel	51.50



Hangar Plow Wheelbarrow (Stable)

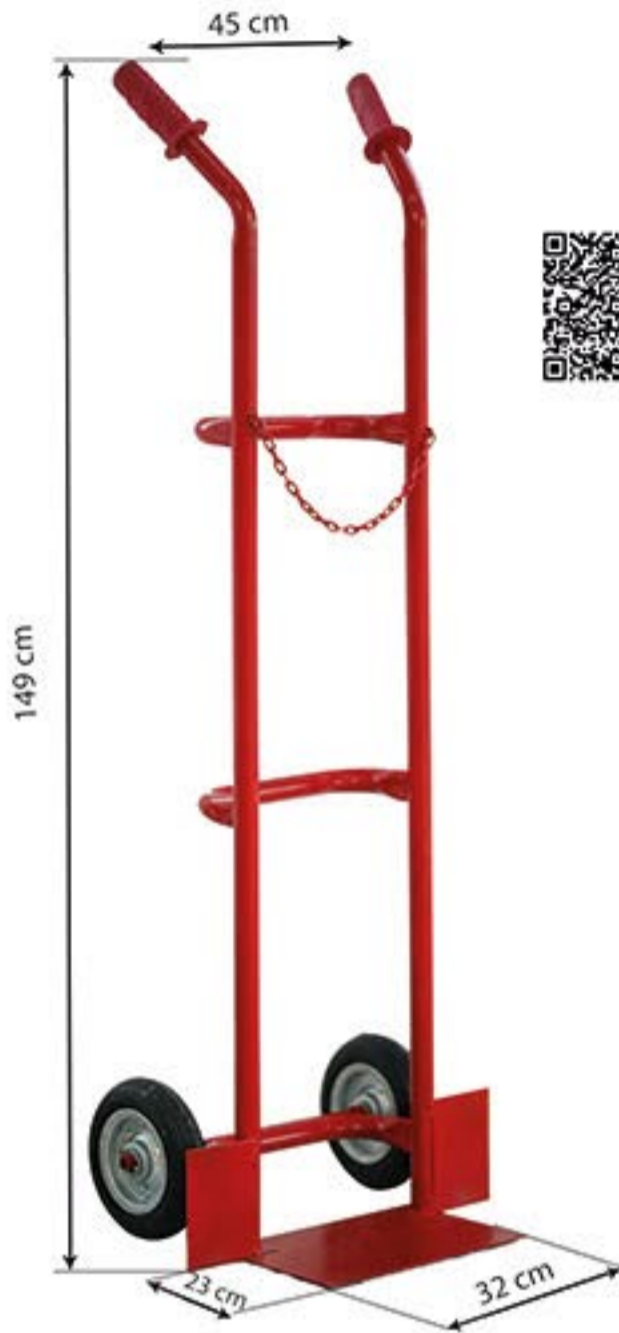


Code	Piece	Weight	Type	Price (€)
3251	1	11.60 kg	PNEU Wheel	55.00
3252	1	12.50 kg	Rubber Wheel	47.50





Hangar Tube Carrying Trolley Extra



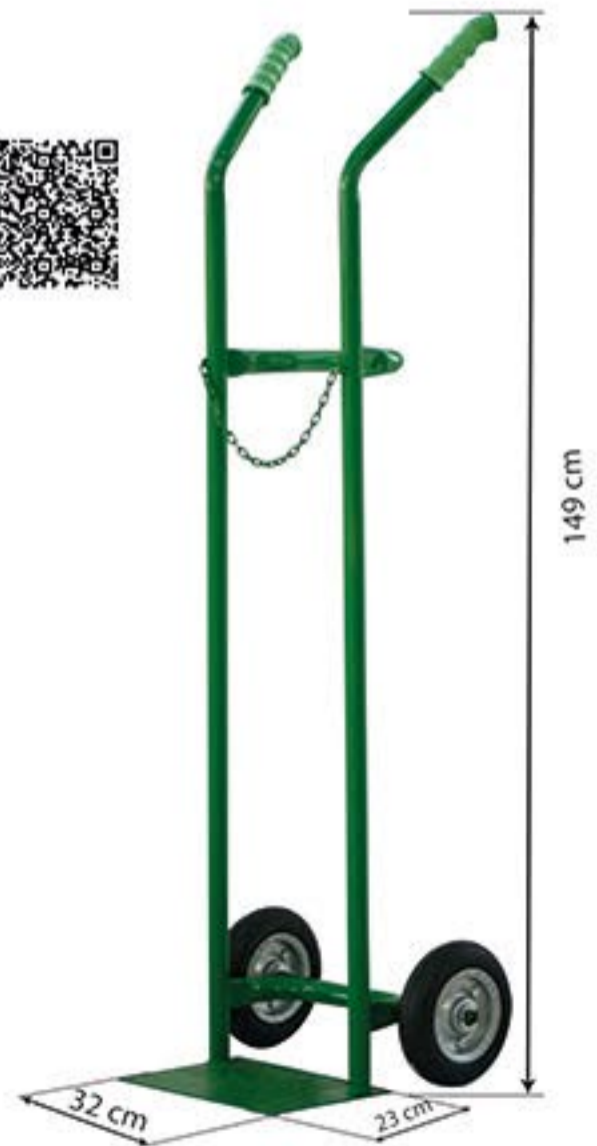
Code	Piece	Weight	Max Capacity	Price (€)
2171	1	8.90 kg	120 kg	45.00



Hangar Tube Carrying Trolley



Code	Piece	Weight	Max Capacity	Price (€)
1171	1	8.250 kg	100 kg	37.50



Hangar Long Wagon Carrying Trolley



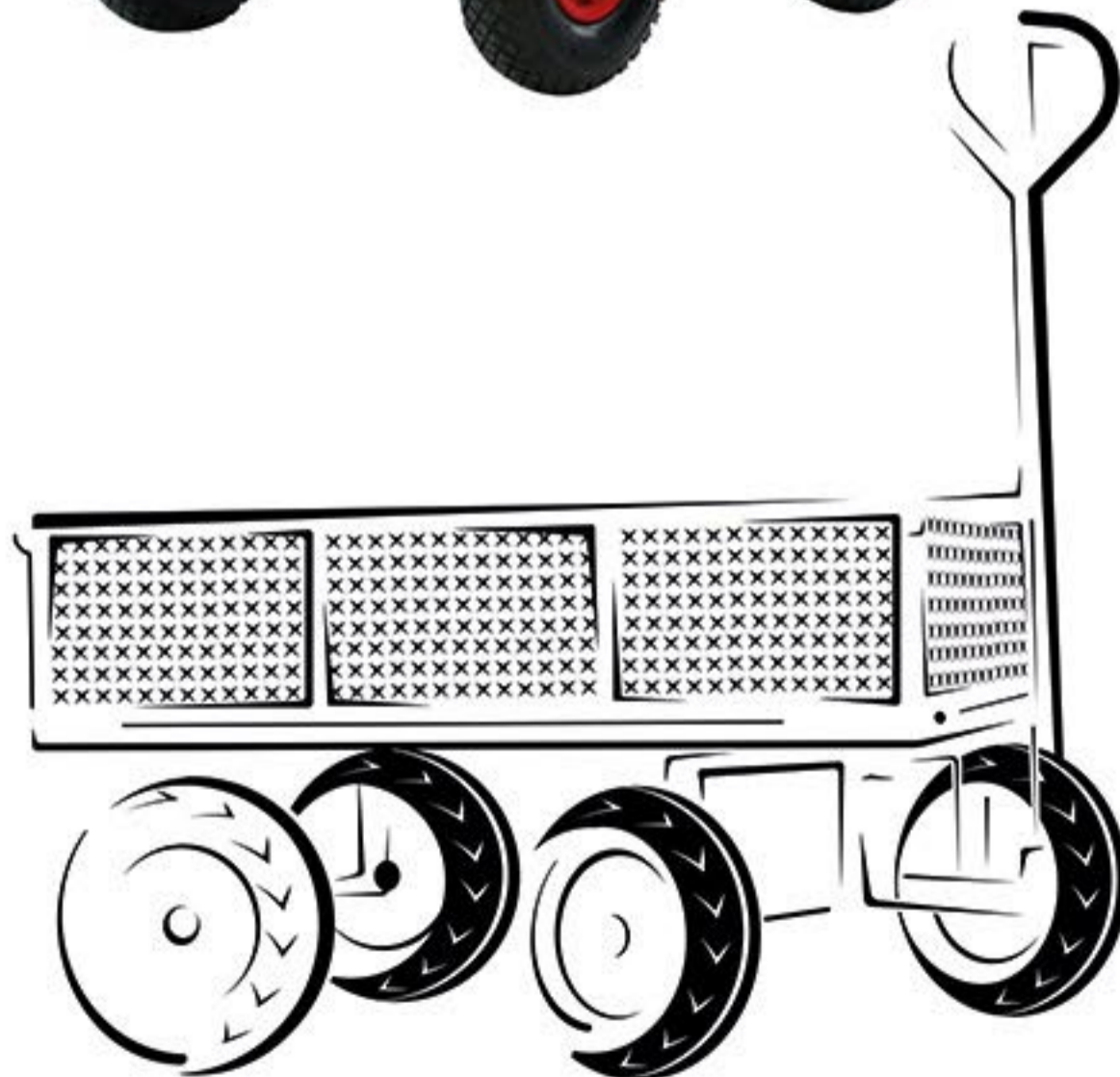
Code	Type	Piece	Weight	Max Capacity	Price (€)
1901	Plastic Rim Pneumatic Wheel	1	52.00 kg	500 kg	222.50
1902	Midilli Wheel	1	53.60 kg	600 kg	222.50
1903	Wheelless	1	40.00 kg	500 kg	209.00



Hangar Mini Wagon Carrying Trolley



Code	Piece	Weight	Max Capacity	Price (€)
1951	1	30 kg	300 kg	162.50



- 500 kg load carrying capacity
- 360 degree rotation feature thanks to ergonomic handle
- Reinforced sub chassis
- Openable and lockable covers
- Four wheels with heavy load carrying capacity
- The only "Wagon Cargo Cart Covered" by warranty in Turkey





HUNIPER[®]

“For Those Who Always Seek Quality”

Spiral Tube Funnel

Steel Strainer - 1.6 L



Code	Piece	Weight	Size (cm)	Price (€)
313	50	7.8 kg	41x59x50	1.50



Plastic Big Funnel

Stel Strainer - 2.2 L



Code	Piece	Weight	Size (cm)	Price (€)
302	40	7.7 kg	41x59x50	1.50



Plastic Litre



Code	Type	Piece	Weight	Size (cm)	Price (€)
307	1 L	12	1.6 kg	32x40x30	2.00
308	2 lt	12	7.8 kg	39x50x37	2.50
309	5 L	12	5.30 kg	49x70x46	3.50



Plastic Petrol Can

5 Litre



Code	Type	Weight	Size (cm)	Price (€)
304	20	3.8 kg	53x110x26	1.50





 **TUNA**[®]
ORIGINAL

"FOR THOSE WHO ALWAYS SEEK QUALITY"

Original Plastic Compactor Shovel

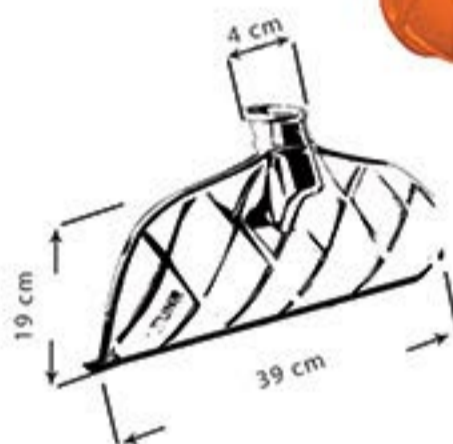


Code	Piece	Weight	Size (cm)	Price (€)
201	25	10.3 kg	42x37x58	2.00



Original Plastic Compactor Shovel Thick

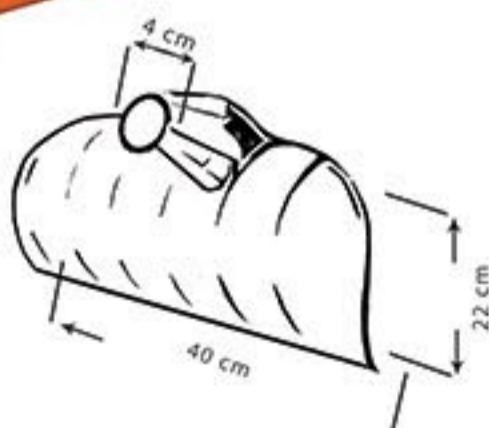
Code	Piece	Weight	Size (cm)	Price (€)
202	25	12 kg	42x59x37	2.50



Original Plastic Pusher

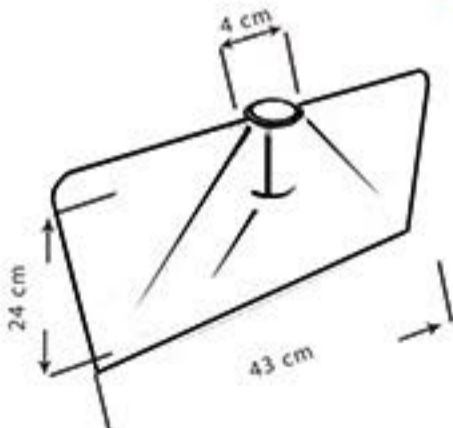


Code	Piece	Weight	Size (cm)	Price (€)
203	25	12.6 kg	42x60x47	2.50



Original Plastic Scrape

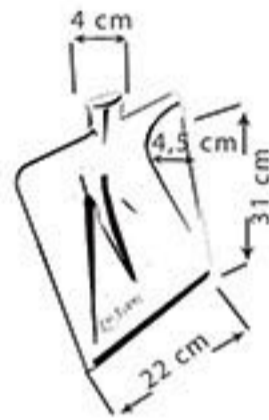
Code	Piece	Wight	Size (cm)	Price (€)
216	25	14,2 kg	42x58x37	2.50



Original Plastic Faryap Shovel
NO 4 Metal Tipped



Code	Piece	Weight	Size (cm)	Price (€)
225	25	8 kg	42x48x38	2.00
226	25	9 kg	42x48x38	2.00



Original Plastic Faryap Shovel
NO 6 Metal Tipped



Code	Piece	Weight	Size (cm)	Price (€)
205	25	12.3 kg	42x60x48	2.50
206	25	13.3 kg	42x60x48	2.50

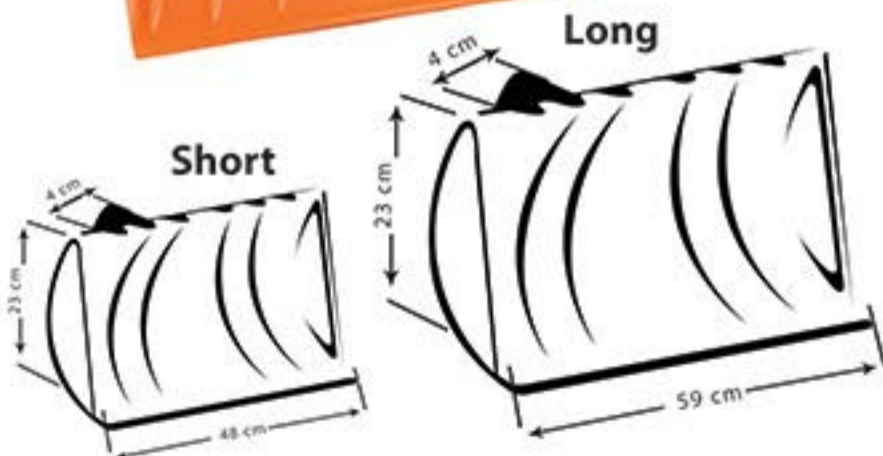


Original Plastic Big Pusher



Long Short

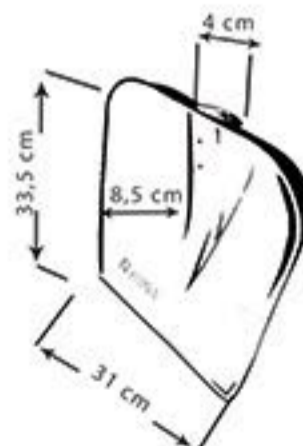
Code	Piece	Weight	Size (cm)	Price (€)
227	25	22 kg	60x70x59	3.50
228	25	26.20 kg	60x70x55	4.00



Original Plastic Faryap Shovel
NO 8 Metal Tipped



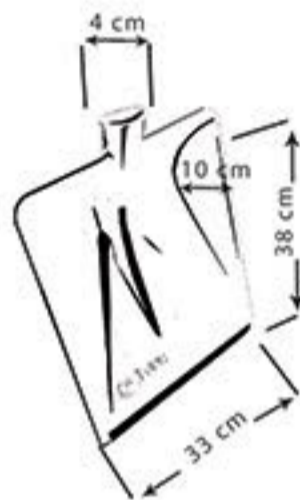
Code	Piece	Weight	Size (cm)	Price (€)
209	25	11 kg	42x60x47	2.50
222	25	12 kg	42x60x47	2.50



Original Plastic Faryap Shovel NO 10



Code	Piece	Weight	Size (cm)	Price (€)
220	25	16 kg	60x68x45	2.50



Original Plastic Faryap Shovel NO 10 Metal Tipped



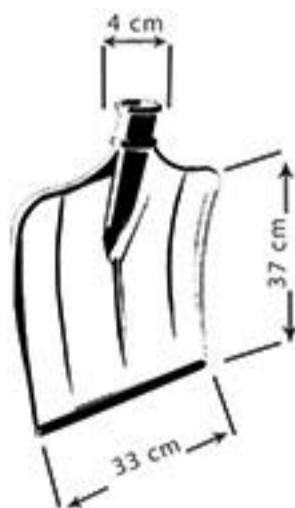
Code	Piece	Weight	Size (cm)	Price (€)
221	25	17.30 kg	60x68x45	3.00



Original Plastic Snow Shovel



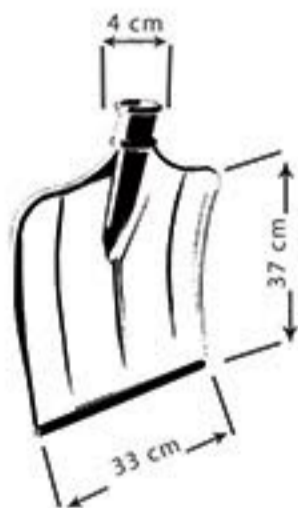
Code	Piece	Weight	Size (cm)	Price (€)
211	25	16.10 kg	52x61x46	3.50



Original Plastic Snow Shovel Metal Tipped



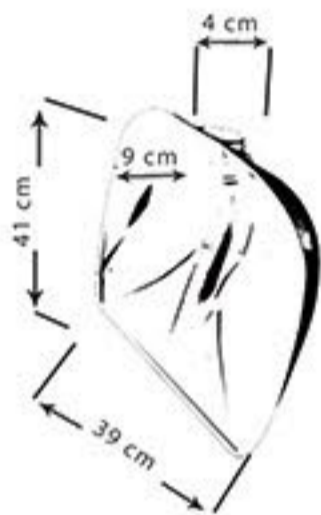
Code	Piece	Weight	Size (cm)	Price (€)
212	25	17.4 kg	52x61x46	3.50



Original Plastic Multipurpose Shovel



Code	Piece	Weight	Size (cm)	Price (€)
210	25	17.5 kg	60x68x48	3.50



Original Plastic Grain Shovel

Code	Piece	Weight	Size	Price (€)
207	10	8 kg	50x60x34	4.50



Original Plastic Grain Shovel With Handle



Code	Piece	Weight	Size	Price (€)
208	10	16.5 kg	Sack	7.00



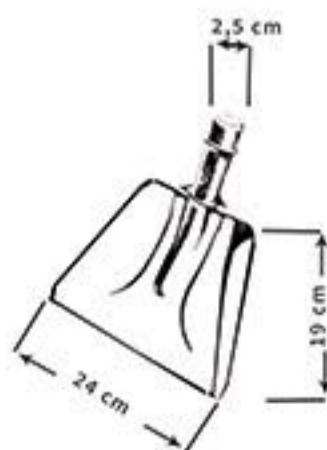
Original Plastic Dustpan Shovel

Code	Piece	Weight	Size (cm)	Price (€)
204	30	7 kg	40x59x26	1.50

Without Handle



Code	Piece	Weight	Size (cm)	Price (€)
204S	30	8.80 kg	40x59x26	1.50



Original Plastic Rake

16 Teeth



Code	Piece	Weight	Size (cm)	Price (€)
213	25	11.3 kg	40x72x57	2.50

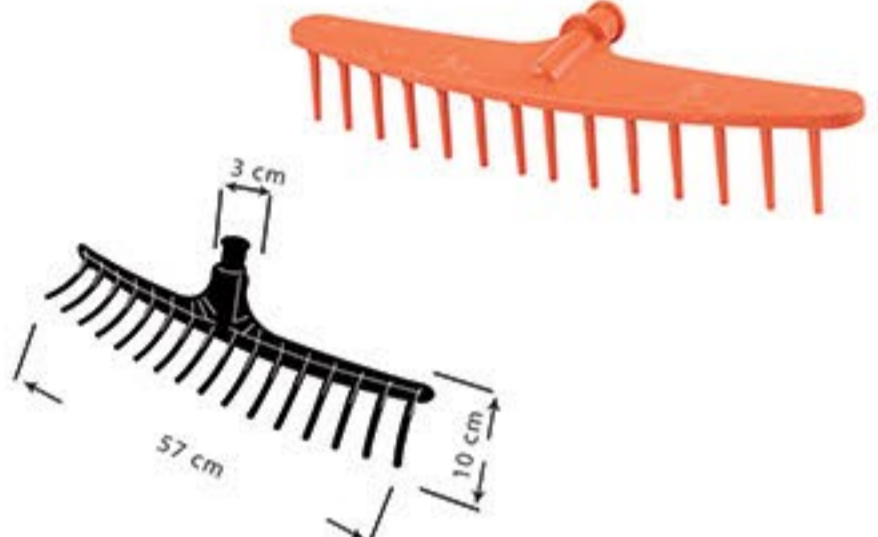


Original Plastic Rake

14 Teeth



Code	Piece	Weight	Size (cm)	Price (€)
214	25	10 kg	40x72x57	2.00



Original Shovel Handle Holder



Code	Piece	Weight	Size (cm)	Price (€)
252	100	12 kg	40x55x27	1.00

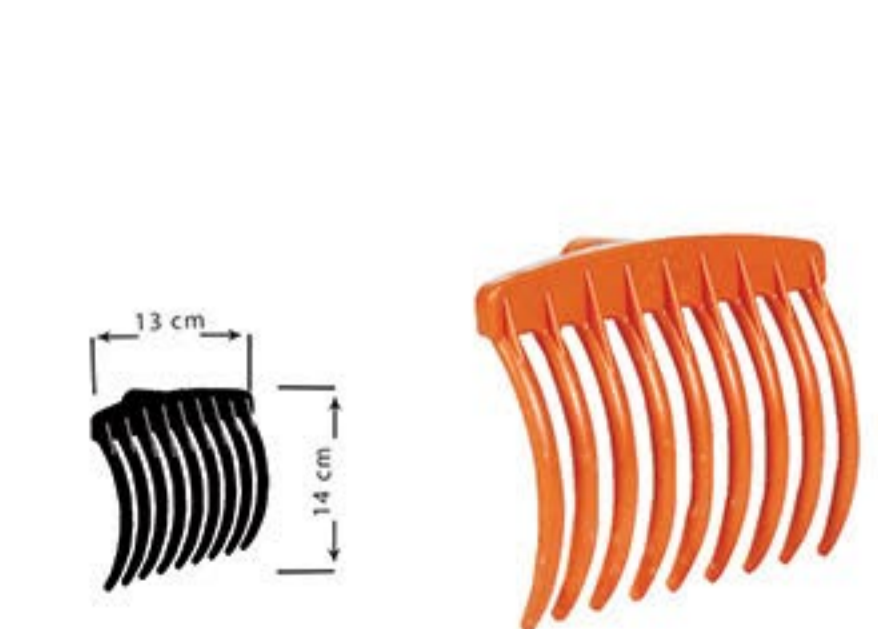


Original Plastic Olive Comb



Code	Piece	Weight	Size (cm)	Price (€)
223	150	15 kg	40x50x47	0.50
224	200	16.5 kg	40x50x47	0.50

9 Teeth
7 Teeth



Plastic Caulking Gun



Code	Piece	Weight	Size (cm)	Price (€)
301	25	7.7 kg	36x46x26	1.00



Plastic Chimney Cover

Code	Piece	Weight	Size (cm)	Price (€)
242	150	7.60 kg	42x59x38	0.50



Original Plastic Coating Shovel



Code	Piece	Weight	Size (cm)	Price (€)
218	40	7 kg	40x59x26	1.50



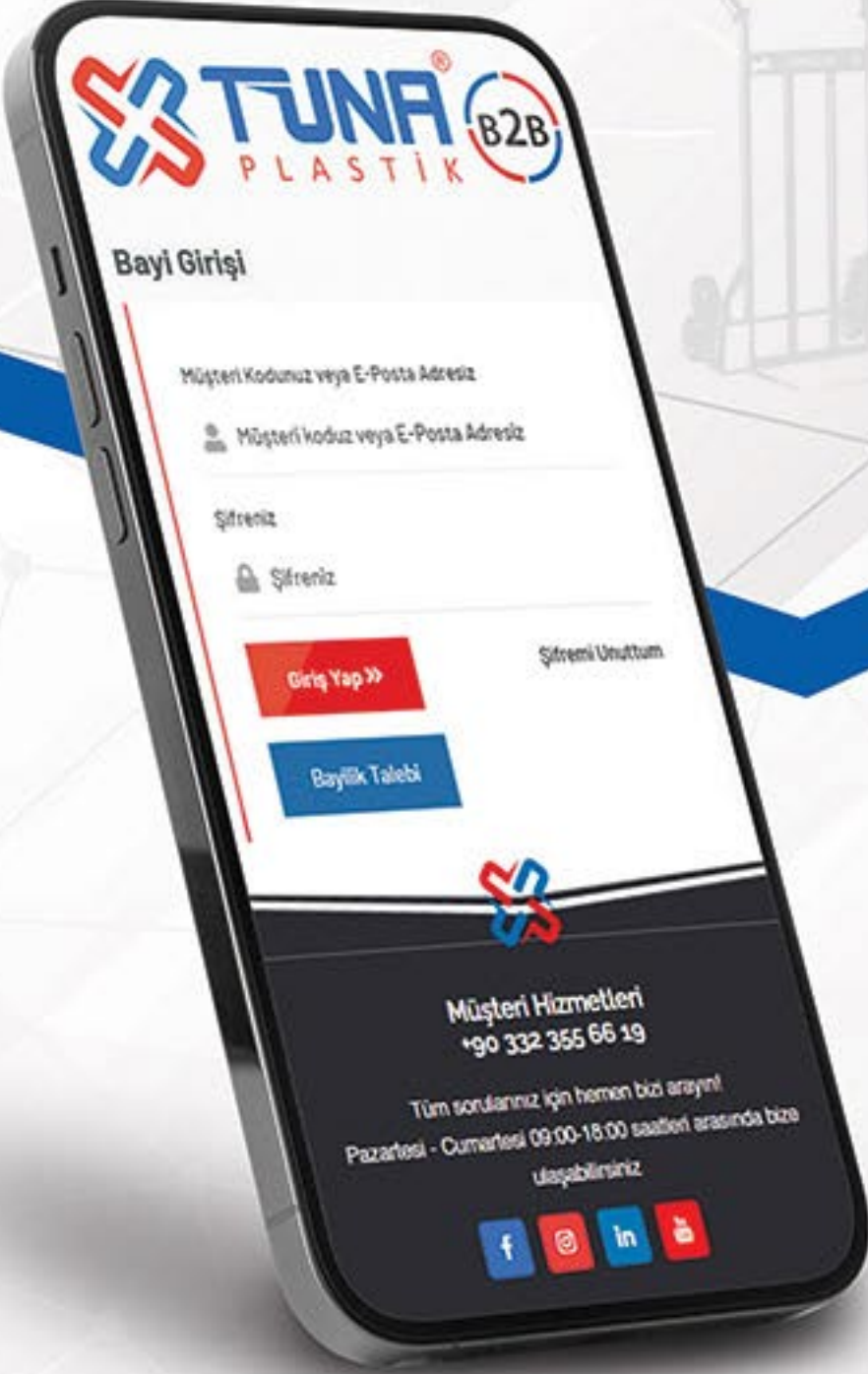
Plastic Coating Jug

Code	Piece	Weight	Size	Price (€)
217	15	2.7 kg	53x72x24	1.50



- Produced from high quality raw materials with a special formulation.
- With its wide structure, can be used in many different fields and purposes.
- It is generally used for all carrying purposes in agriculture, horticulture, gardening, livestock and construction fields.





**DOWNLOAD
OUR MOBILE APP!**



TUNA KAUÇUK PLASTİK ANONİM ŞİRKETİ

Tatlıcak Mah. Vatan San. Sit.
Gürçınar Sk No:48-50
KARATAY/ KONYA/ TÜRKİYE

Telefon : +90 332 355 66 19
Web : www.tunaplastik.com
E-Mail : info@tunaplastik.com

